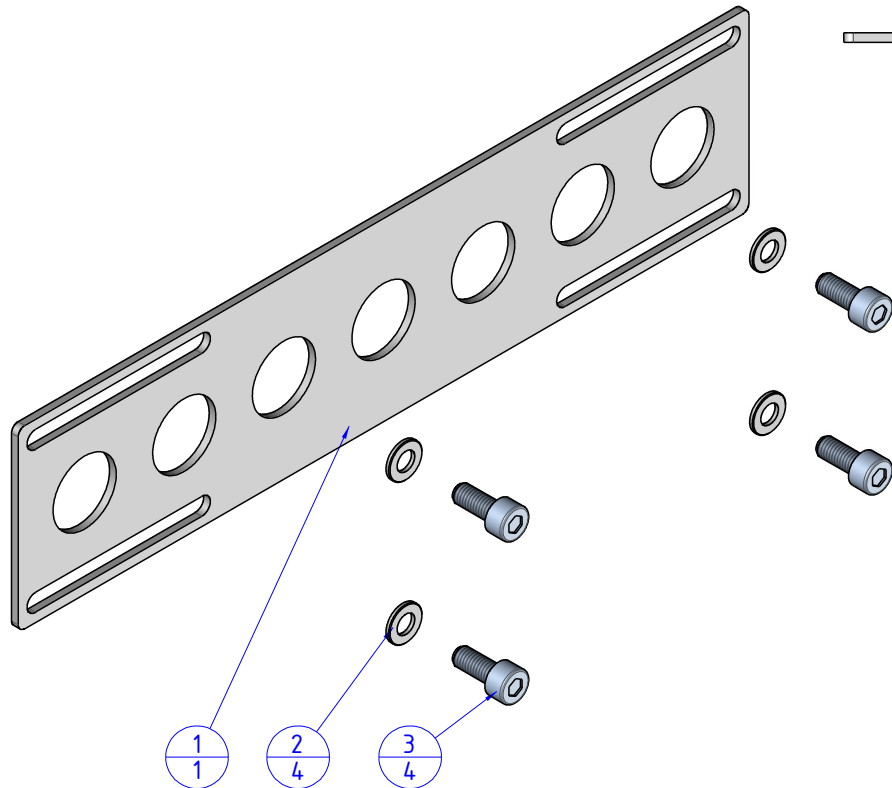
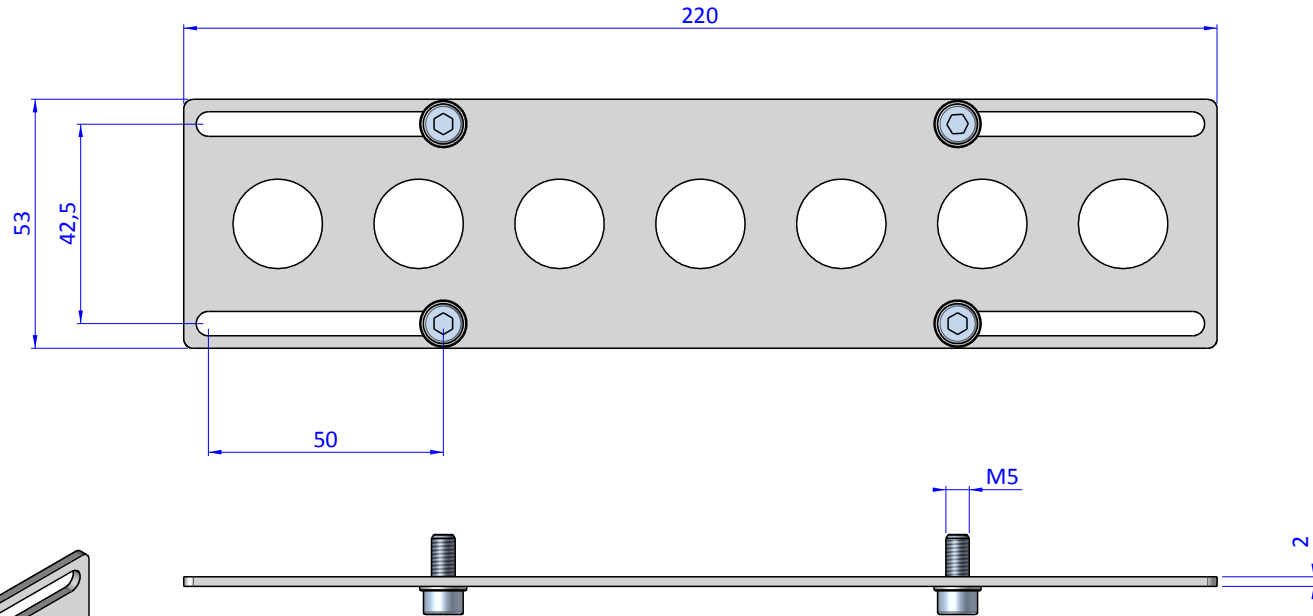


THE PROPERTY OF THE DRAWING IS ESTABLISHED BY LAW. IT IS FORBIDDEN TO PRODUCE OR SHOW IT TO THIRD PARTY, WITHOUT A WRITTEN AGREEMENT.

Item	Name	Q. ty
1	EPL.50.25.220	1
2	R.5	4
3	V.TCE5x12	4



Format A3

UNI 936-76

		DESIGNED FROM	REVIEW
		FP SERVICES	A / 10
GENERAL TOLERANCE	DESCRIPTION	DATE	WEIGHT
UNI - ISO 2768		19/09/2018	0,152kg
CLASSE f	CA.EPL.50.25.220	CODE	CA.EPL.50.25.220